

# GP2Y1014AU0F



### Application

Air quality/ Pollen and Cigarette Monitoring

### Property

Small size/ Light weight/ Easy to install.

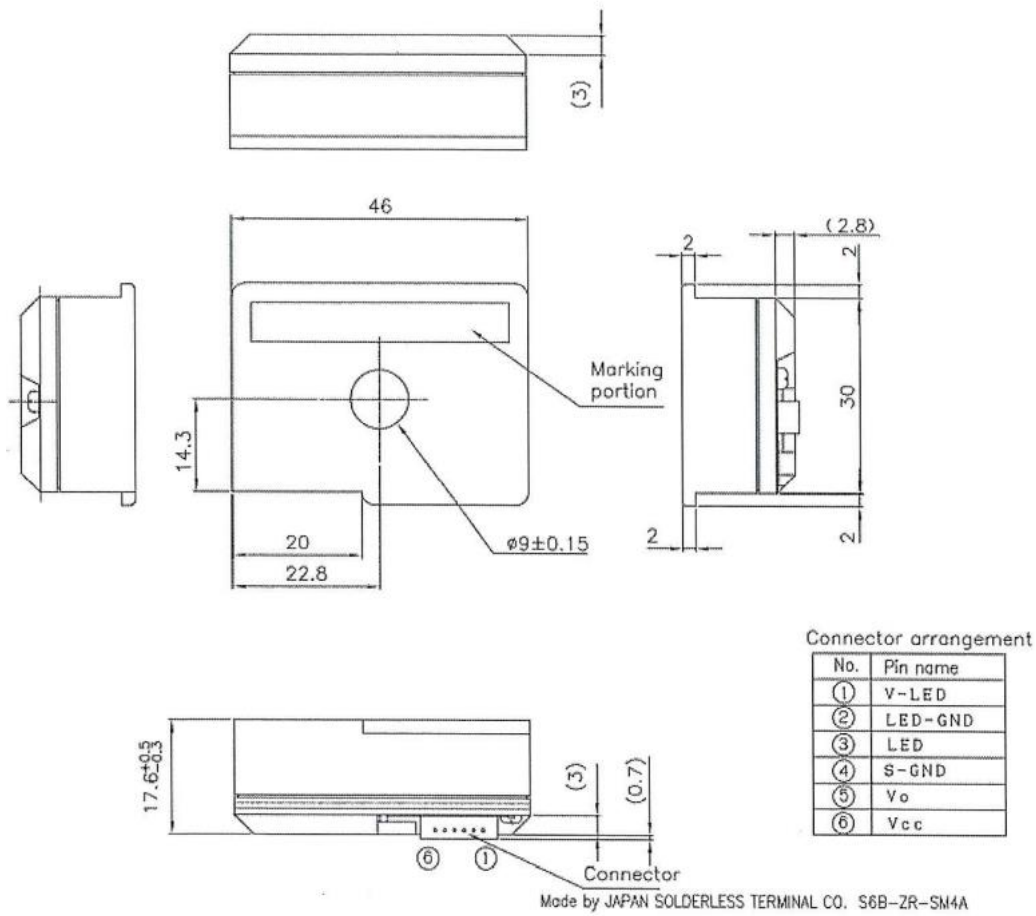
### Introduction

GP2Y1014AU0F can detect extremely fine particles and is commonly used in air purification systems. It consists of an infrared emitting diode and a phototransistor that detect dust particles in the air by measuring reflected light. The sensor has very low current consumption (maximum 20mA, typical 11mA). Its output is an analog voltage proportional to the measured dust concentration.

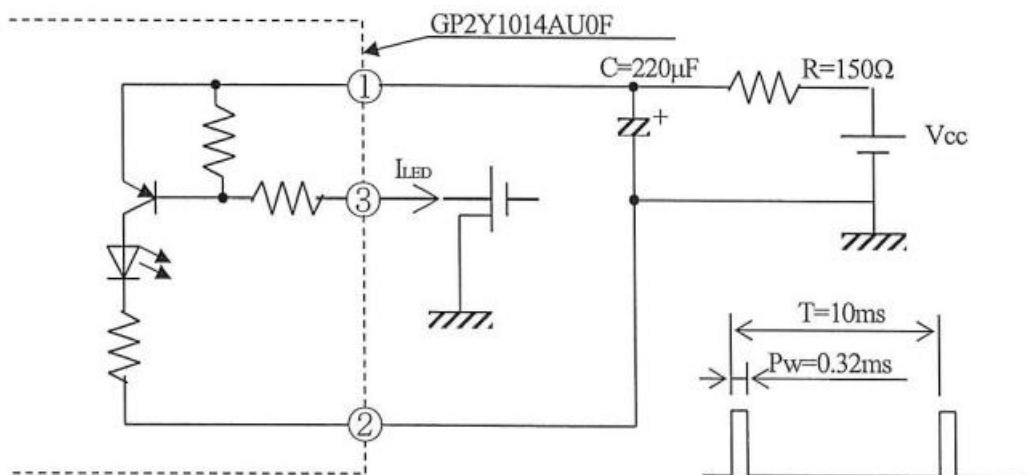
## Specifications (T=25°C)

Items	Symbols	
Supply Voltage	$V_o$	-0.3~7V
Operating Voltage	$V_o$	5V
Current Rating	$I_o$	11mA
Operating Temperature	$T_o$	-10°C ~ +65°C
Storage Temperature	$T_s$	-20°C ~ +80°C
Sensitivity		0.5 V/(100 $\mu$ g/m <sup>3</sup> )
Output Voltage range	TXdh	0.6 V(no dust), >3.4V
ILED Terminal Current	$I_o$	11mA

### Outline Dimensions



### Reference Circuit



GP2Y1014AU0F output voltage v.s Dust density (example)

